

DvTec - EngRig

Thank you for choosing the EngRig support system.

The EngRig plate and rods can be used to support any standard 15 mm Matte Box systems, Follow focus units Etc. It is equipped with the universal camera plate Quick Release mount. And is Vertically and Horizontally adjustable

The EngRig support is designed for full size shoulder video cameras equipped with the EngRig Plate and rods or with any other standard 15mm Matte Box support rods.

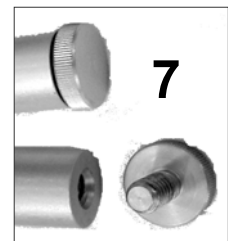
Caution! Read this first!

The support pod is spring loaded! Handle it with care.
To avoid possible physical or property damage to your body or the camera Lens,
Make sure **BOTH** support pod-locking knobs are **LOCKED**.
When inserting or taking out the pod to and from the support assembly.

Remove the QR plate from your camera, and replace it with the EngRig plate using the same screws.

Before you put the camera on your shoulder

- Make sure both rods are firmly screwed into the camera plate.
- Note the rod end safety stoppers, Remove for installation and put them back before use.
- **Never use your EngRig without safety stoppers** If you use the EngRig support with other brand rod system, make sure to use some kind of device to stop the support assembly from sliding off the rods.(7)
- Slide the Support Assembly all the way on the rods with knob (1) on the left side and lock (1).
- Squeeze the pod to its minimum length and Lock it.
- Attach the holster to the support belt.
- Put the support belt on.
- Tighten the belt to your waist just above your hipbone.
- Position the holster aligned with your right shoulder.

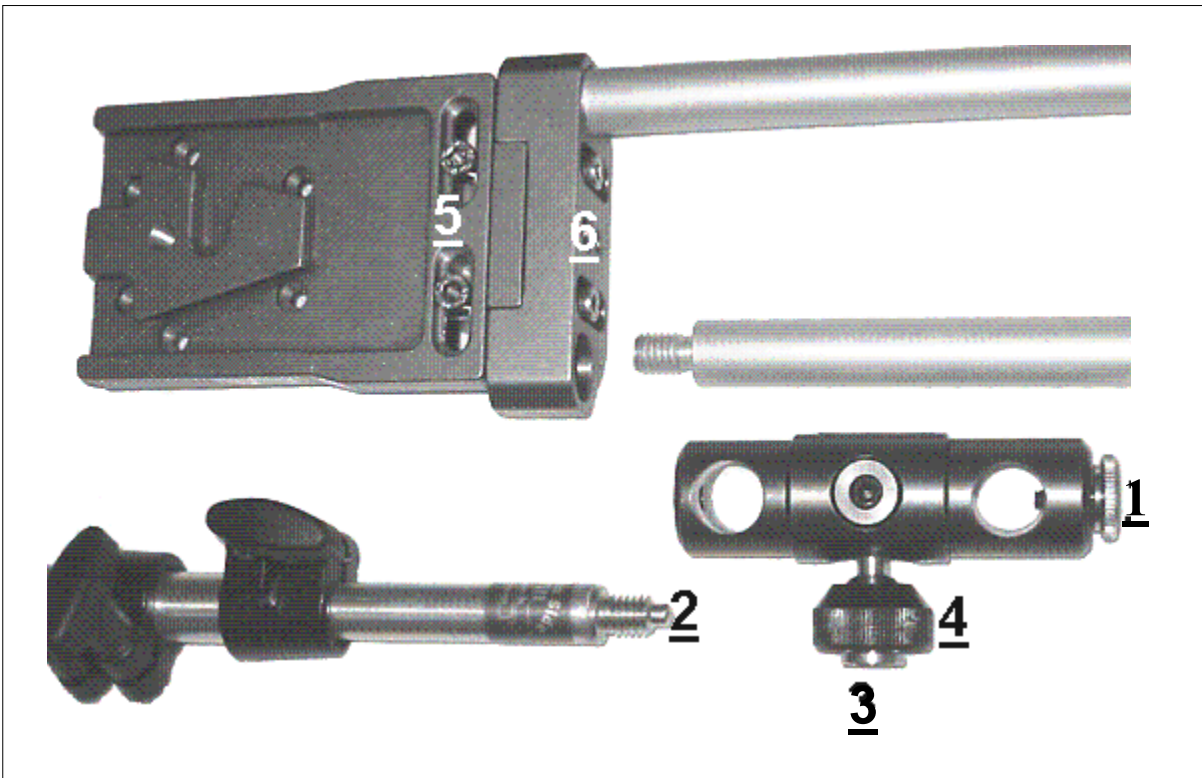


You are ready now to put the camera on your shoulder

- Put the camera on your shoulder in normal shooting position.
- **Proceed with your right hand holding the camera zoom grip at all times!**
- Insert the bottom of the pod into the holster through the “D” ring.
- Insert the pod’s brass tip (2) into the threaded hole (3) and lock counter clockwise.
- Make sure the brass tip is inserted all the way in hole (3)
- Unlock both pods’ locking knobs.
- Adjust the black nut (4) Counter clockwise for free side tilt mode and Clockwise for Horizontal locked mode.

Advanced operation

- Move the support point along the rods to match your camera weight, the desired overall springiness, and spring resistance.
- To adjust the pods length, lift the camera to just above horizontal position and lock the top locking knob.
- The top spring is softer the bottom spring. Choose the one that is best for your camera weight and type of shooting, lock the other.
- In normal operation only one section of the pod should be free.
- For extreme up and down tilting Slide the support assembly all the way back and release both pole locks.
- For most stable longer period shoots, or tele shoots, Tighten nut (4) and both pod locks.
- The rods position can be vertically and horizontally adjusted
- For Matte Box use, adjust screws 5 and 6. to center the matte box with the center of your lens.



For more information visit: www.dvtec.tv or mail us to : info@dvtec.tv